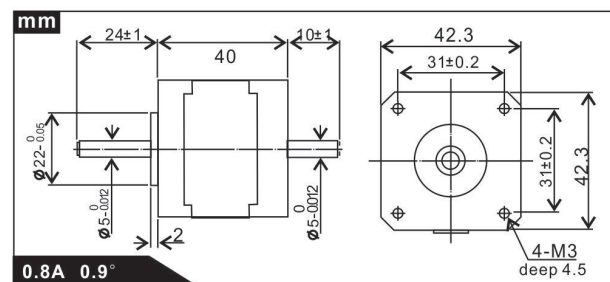
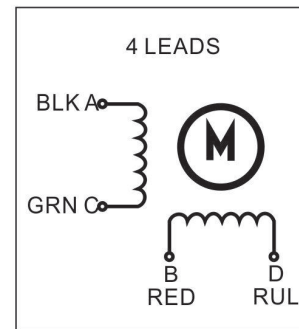
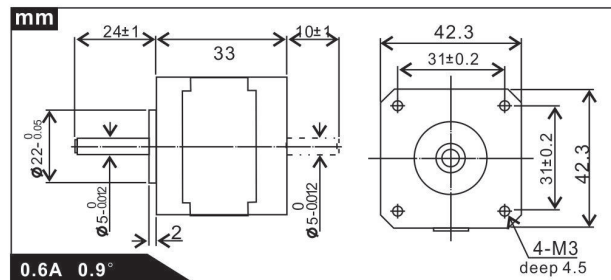
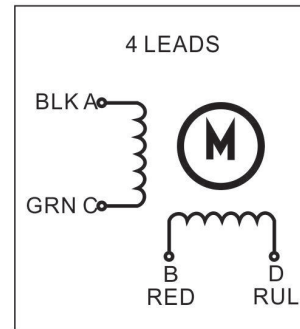
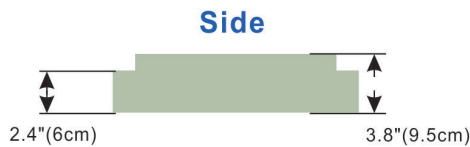
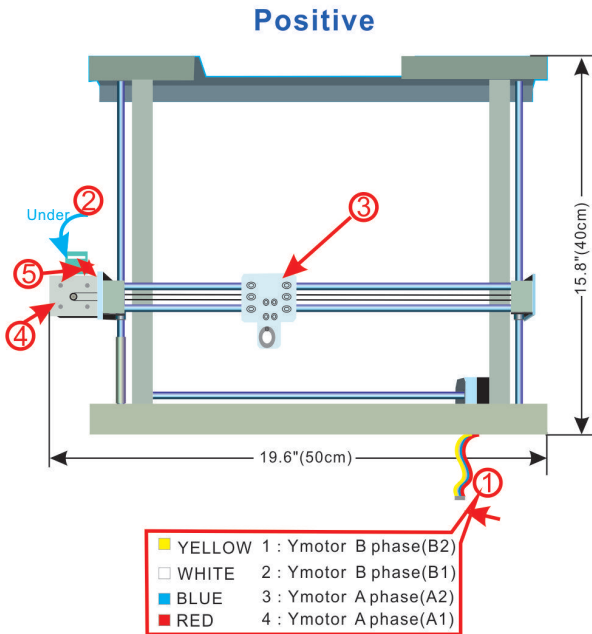


X-Y STAGE

This 3020 X-Y stage is designed for DIY CO2 laser machine. It's an entry level and affordable. Ideal for folks who want to learn how to build a laser machine. Also, it's a good platform for student to learn CNC using G-code.



- ① Connect line 1 to the motherboard. The role of line 1 is to control the y axis stepper motor.
- ② 12 heart flat wire connects hole 2 (under 5) to the motherboard. The role of it is control the x axis stepper motor.
- ③ Install the laser head etc.
- ④ Install the reflective mirror

Specification:

Working area: 300mm x 200mm

Speed: X:450mm/s, Y:300mm/s

X motor: 0.6A/ two-phase,

Y motor: 0.8A/ two-phase

Wire :4 Limit switches for X,Y installed

