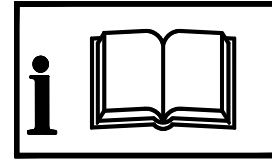
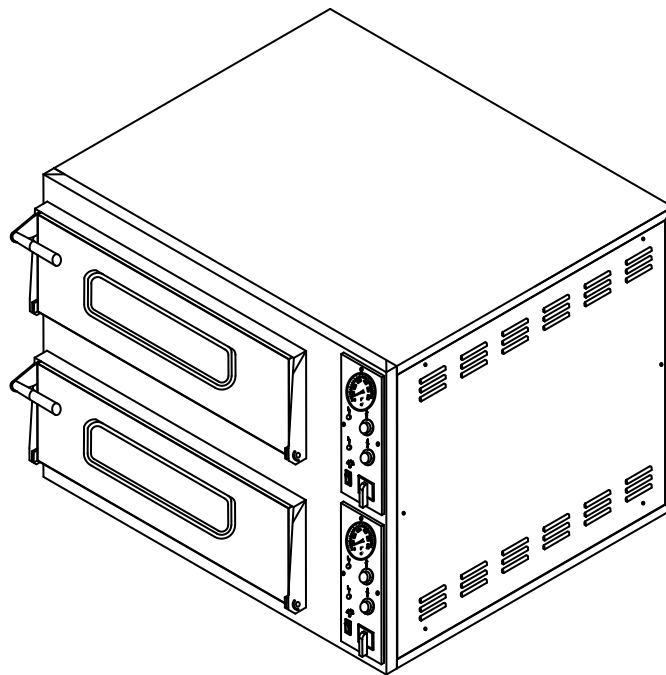


CE



EP Series Pizza Oven

User Manual

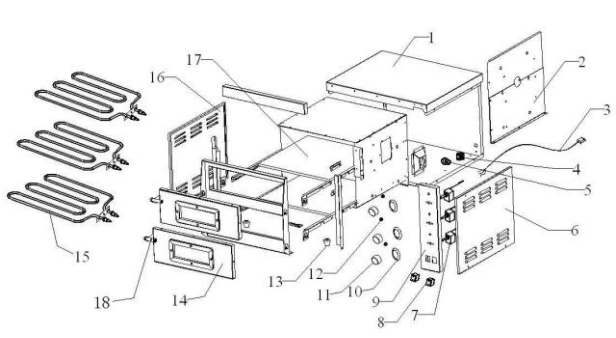


Index

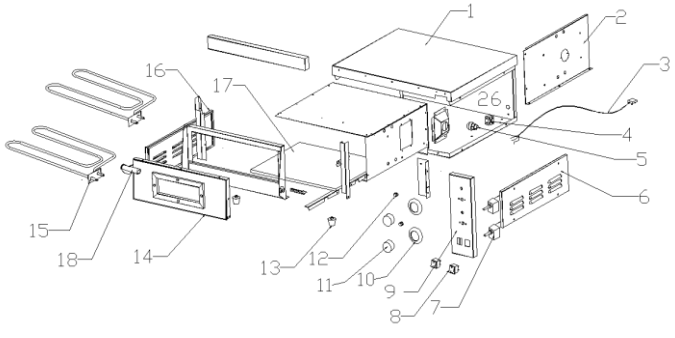
- I Machine illustration diagram
- II Part list
- III Warning
- IV Installation instruction
- V Operation instruction
- VI Maintenance
- VII Trouble shooting
- VIII Specification
- IX Electrical drawing

Please, read instruction before using the oven.

I EP2&EP1 Explode diagram



EP2



EP1

II. Part list

No.	Parts No.	Description	QTY	No.	Parts No.	Description	QTY
1	EP2-001	Cabinet	1	1	EP1-001	Cabinet	1
2	EP2-002	Cotton Board	2	2	EP1-002	Cotton Board	1
3	EP2-003	Cable	1	3	EP1-003	Cable	1
4	EP2-004	binding post	1	4	EP1-004	binding post	1
5	EP2-005	Halongen Lamp	1	5	EP1-005	Halongen Lamp	1
6	EP2-006	Side Board	1	6	EP1-006	Side Board	1
7	EP2-007	Thermostat	3	7	EP1-007	Thermostat	2
8	EP2-008	Switch	2	8	EP1-008	Switch	2
9	EP2-009	Operation Board	1	9	EP1-009	Operation Board	1
10	EP2-010	Knob Sit	3	10	EP1-010	Knob Sit	2
11	EP2-011	Knob	3	11	EP1-011	Knob	2
12	EP2-012	Indicator Light	3	12	EP1-012	Indicator Light	2
13	EP2-013	Rubber Feet	4	13	EP1-013	Rubber Feet	4
14	EP2-014	Door	2	14	EP1-014	Door	1
15	EP2-015	Heating Element	3	15	EP1-015	Heating Element	2
16	EP2-016	Side Board	1	16	EP1-016	Side Board	1
17	EP2-017	Pizza Stone	2	17	EP1-017	Pizza Stone	1
18	EP1-018	Handle	2	18	EP1-018	Handle	1

III. Warning:

1. The oven must not be installed in proximity of inflammable materials (wood, plastics, combustible, gas, etc.).
2. Avoid the contact of inflammable objects with the hot surfaces of the oven. Always assure the safety fireproof conditions. Maintain a free space around the oven of at least 50cm.
3. For safety reasons, the maximum temperature allowed is 350 deg.C. despite thermo control can be over such temperature (as special required to install for tailor made feature).
4. It is forbidden to use throws or drips of water, abrasive or corrosive substances, and anything else that can damage the components, compromise the safety, and be dangerous from an hygienic point of view.
5. Do not use the wet hand to touch the any switch or part on the switch panel.
6. Do not use the oven if any damage part found.
7. Keep away from children.
8. Read all instruction before use.
9. Oven should be installed by qualified electrician by local law.
10. Maximum continuous work time is 12 hours. The oven must be stop for cooling for 3 hours before work again.
11. No direct water spray cleaning.
12. No direct touch by hand on any part of the oven expect operation on switch panel, door handle and staff ball for exhaust air.
13. Operator should be keep taking care of oven when the oven turn on.
14. Check the electric wire breakage due to material fatigue periodically, eg. Inspection per every 3 months

IV. Installation

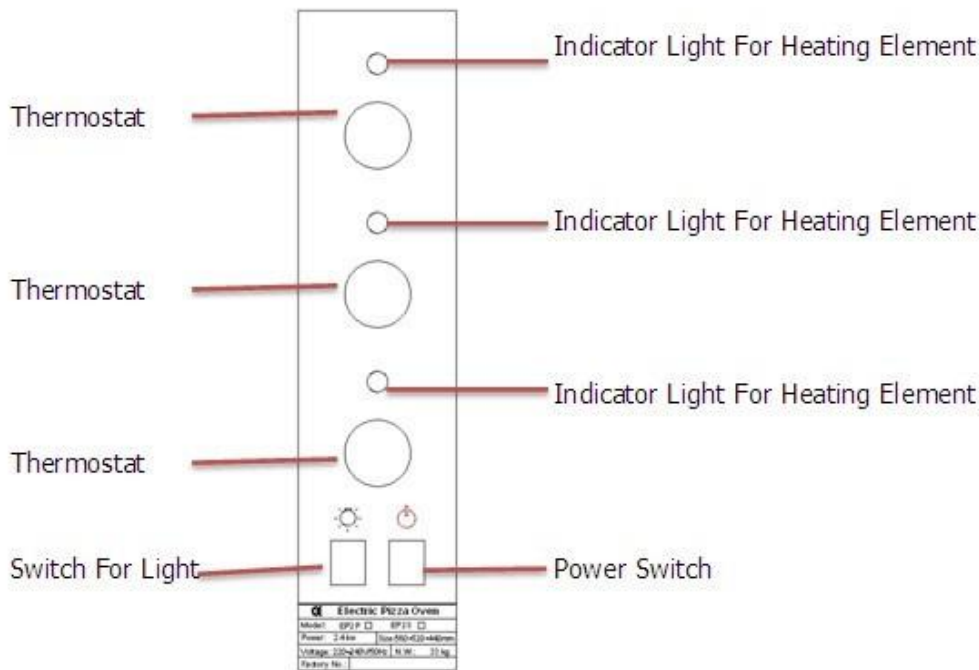
1. Installation and maintenance have to be done by qualified personnel authorized by the manufacturer or dealer, who is not responsible for any mistaken installation or manumission.
2. The place where the oven is installed, must have the following environment al characteristics:
 - be dry.
 - water sources at safe distance;
 - adequate ventilation and lighting corresponding to hygiene and security rules following the existing law.
3. Verify that the electrical set-up corresponds with the numbers of the technical characteristic and on the small plate at the back of the oven. The characteristics of the electric socket must be compatible with the plug installed on the cable.
4. The connection with the electric network must be made by putting a suitable differential automatic cut-out, in which

the distance of the aperture between the contracts is at least of 3 mm. It is necessary to connect the equipment on the ground.

5. The equipment must be connected with an equi-potential system. The connection is made with the terminal close to the cable (the one which has this symbol on it). The bonding wire must have a minimal section of 10mm.

V Operation

1 Before the ignition of the oven, remove the protective film and all polyfoam inside the chamber.



2 Turn on the main switch to position “ 1”.

3 Turn upper and lower thermo control desired temperature. Power indicator light up for heating element working. The light turn off if the desired temperature reached. The heating element is automatic switch on if the chamber temperature is lower than the desired setting temperature. At the same time the indication light turn on if the heating element working again.

4 Check the chamber temperature by thermometer for EP4/6/8/12 series. For EP2, it is timer for cooking alert purposes.

5 Check the Pizza or food by turn on the chamber light.

6 For EP4, EP6 EP8 and EP12, in the left hand side of the door, pushing staff ball for closing exhaust window to keep or pulling staff ball to open exhaust window for different cooking purposes.

7 For switch off the oven, turning the main switch to position “0”.

VI Maintenance:

Before executing any kind of maintenance, including cleaning, you must disconnect the oven electrically and wait for the complete cooling.

In the case of malfunctioning or damage of the oven, you must apply for authorized assistance, form the manufacturer or authorized dealer.

Cleaning – The cleaning must be done every time the oven has been used following all the rules to prevent malfunctioning of the oven and for hygienic purposes. Using a suitable spatula and soft metal brush, remove the cooking

residues from the fire stone, which they go subsequently removed with a aspirator.

VII Trouble shooting:

Trouble	Possible solution
No heating up	①. Check electrical wiring collectly connected. ② Setting the upper and bottom thermo control to desired temperature. ③ Wrong input voltage or phase. ④ Call authorized dealer if other case.
Electric shock	Stop using the oven and call authorized dealer for service
Chamber no light	Turn on the chamber of call authorized dealer to replace bulb.
Bad burning smell	Call authorized dealer to check electrical circuit.
Un-even cooking	Re-set upper and bottom thermo control Or call authorized dealer to check whether the heating element burn and replace.

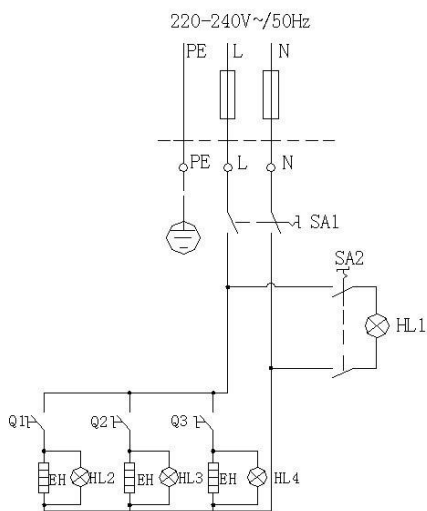
VIII Specification

Model	Temperature range	Outside dimension (mm)	Chamber dimension (mm)	Rated voltage (V)	Rated Power (kW)
EP1S	0~350 °C	560X570X280	410X410X110X1PCS	220-240V	1.6
EP1P	0~350 °C	560X570X280	410X410X110X1PCS	220-240V	21.6
EP2S	0~350 °C	560X570X440	410X410X110X2PCS	220-240V	2.4
EP2P	0~350 °C	560X570X440	410X410X110X2PCS	220-240V	2.4

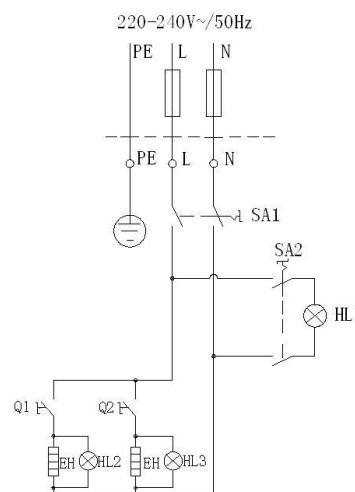
IX Wiring diagram legend.

Electric diagram for 220V-240V EP2P&EP2S

Electric diagram for 220V-240V EP1P&EP1S



SA1: Power Switch SA2: Switch For Light HL1: Light
 EH: Heating Element Q1~Q3: Thermostat HL2~HL4: Indicator Light For Heating Element



SA1: Power Switch SA2: Switch For Light HL1: Light
 EH: Heating Element Q1~Q2: Thermostat HL2~HL3: Indicator Light