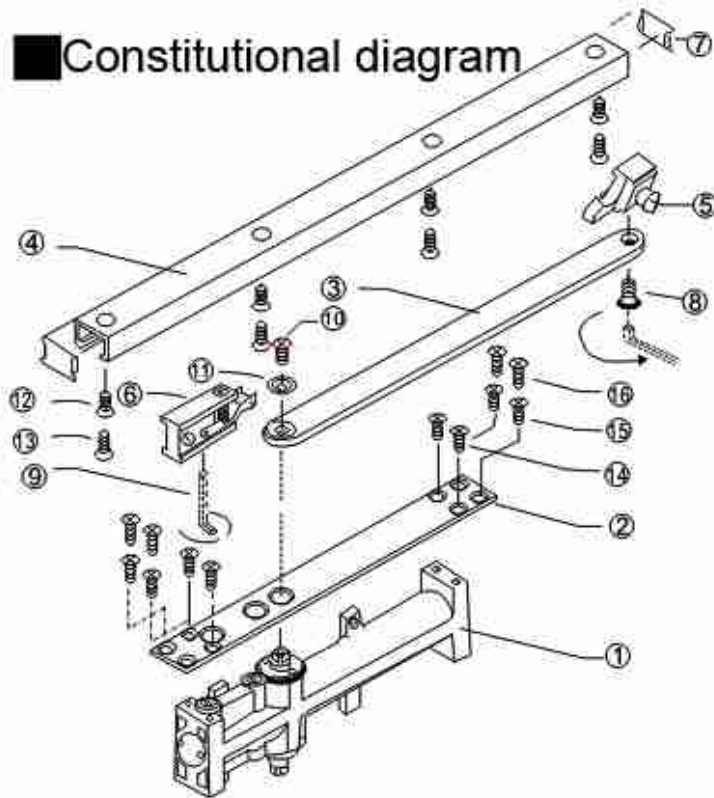
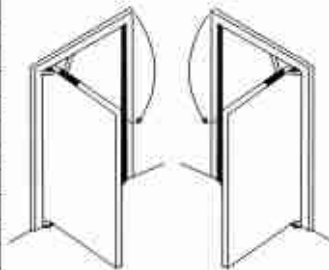


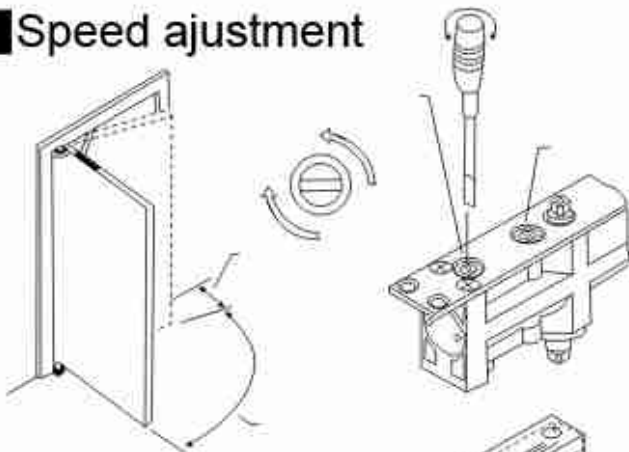
Constitutional diagram



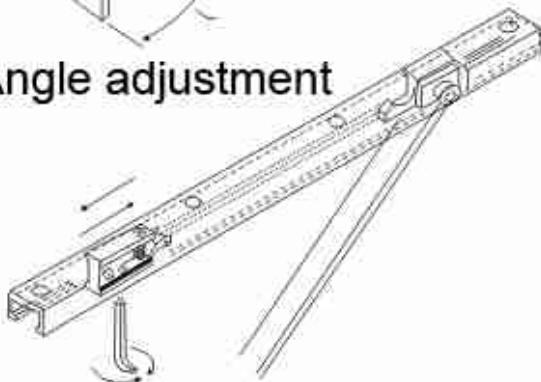
NO	Designation	pc
①	body	1
②	stator	1
③	main arm	1
④	sliding rail	1
⑤	sliding shoe	1
⑥	MSTPCR	1
⑦	side cover	2
⑧	⊕ screw M8	1
⑨	○ spanner 5mm	1
⑩	⊕ screw M5×15L	1
⑪	華司	1
⑫	⊕ screw M5×15L	4
⑬	⊕ screw 3/16"×1"L	4
⑭	⊕ screw M5×12L	4
⑮	⊕ screw M5×15L	4
⑯	⊕ screw 3/16"×1"L	4



Speed adjustment



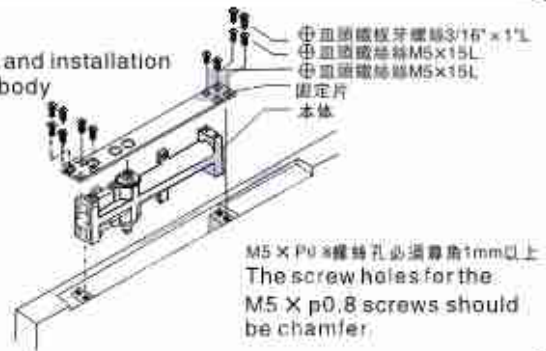
Angle adjustment



INSTALLATION

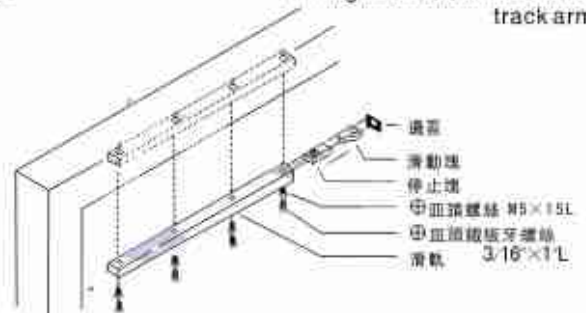
①

Fixing and installation of the body



②

Fixing and installation of the track arm.



③

Combining the main arm and body.



④

Combining the main arm and the sliding plastic part in the track.



⑤

Opening angle and closing speed adjustment

