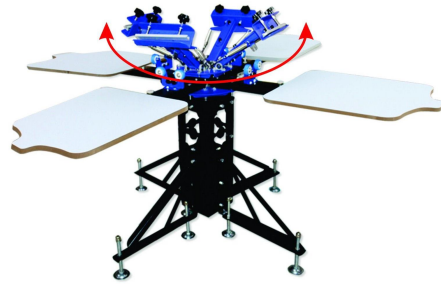


## **Model A 4 Color 4 Station screen Printing Press**

**Item number 006433**



This is a simple type 4 Color 4 Station Screen Printing Press. It can apply 4 screens to 4 stations simultaneously. The the screen layer and the pallet layer can rotate independently, which makes it easier for multi-color printing. You can print onto clothing (especially for T-shirt), woven fabric, metal, paper, copybook, plastic, circuit board, wood, glass, ceramic tile, leather and other plane printing substrates, which is especially suitable for small businesses and individual printing shop.

### **Function Introduction**

Pallets are fixed on the metal holder, the situation has been set up before selling, you don't need to adjust it. So this will be a good choice for a new hand or someone who want to save cost.

New design metal stand could adjust the height from 28"-35".

Adjustable double-spring devices are available for screen frames of different weight.

Screen clamp could be moved up and down, which is suitable for screen frame within 1.5" (4cm) thickness.

### **Parameters:**

Platen size:45x55 cm (18x22 inch)

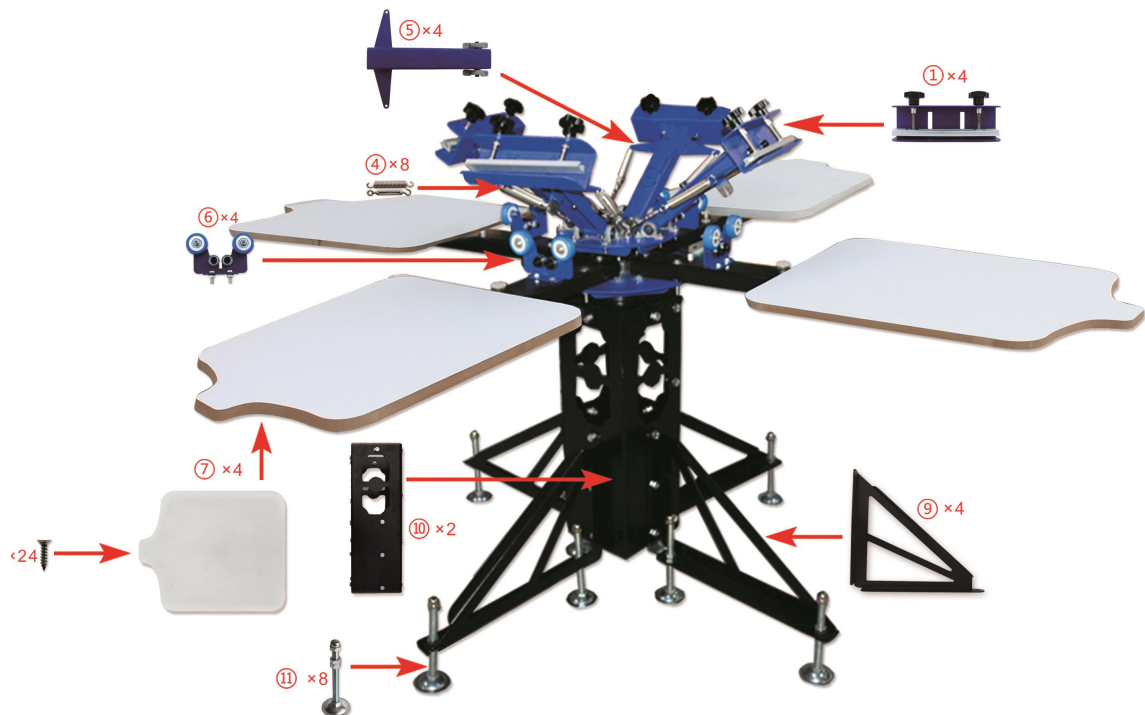
Machine size: 180x180x110 cm / 70x70x43 inch

Net weight:104 kg / 232 lb

Gross weight: 106 kg / 233 lb

Packaged into 4 cartons		
1#	77Lb (35kg)	26"x26"x12" (65x65x31cm)
2#	55Lb (25kg)	23"x16"x10" (59x39x26cm)
3#	35Lb (16kg)	24"x20"x9" (61x51x22cm)
4#	66Lb (30kg)	26"x17"x16" (66x42x41cm)

### Packing list



Please scan this QR code with your phone to watch the operation video.



If need any help please contact us: [sales1@asc365.com](mailto:sales1@asc365.com)